



Rig consists of a curved open cradle mounted on two long pipes that pivot on a 2-wheel axle. Trailer is unhooked and then tipped 90 degrees to pick up tree.

## Do-It-Yourself Tree Mover

Chuck Marley had some trees to move but he didn't want to pay to have it done. Instead, he came up with a tree mover that works like a big spoon, scooping out trees 2 to 3 in. in diameter.

He places two half plastic barrel pieces around the rootball and straps it to the scoop. Then he slips a steel plate under the rootball - using the backhoe - and fastens that to the scoop.

The rig consists of a curved open cradle mounted on two long pipes that pivot on a 2-wheel axle.

Marley first uses a backhoe to make an open trench around a tree. He manually tilts the cradle scoop down into the trench by tipping the pipes up vertical. Finally, he runs a chain from the drawbar hitch on the pipes to a tractor and drives it forward to tilt the dipper forward and out of the hole. The tree now is ready to be moved to its new location, where the plate and plastic half barrel are removed.

Contact: FARM SHOW Followup, Chuck Marley, 6 White Oaks Lane, Saint Charles, Mo. 63301 (ph 636 946-9316).



After digging trench around tree, Marley straps plastic barrel halves to it.



Wrapped tree is strapped to cradle and then a steel plate is inserted into bottom of tree mover to hold tree in place when it's set into new hole.

## "Mud Grids" Stabilize Soft Ground

High-traffic or poor drainage areas can be easily stabilized with new interlocking grid panels that install just under the surface of the ground. Imported from Germany by a Vancouver, B.C., based company, the poly panels are being used in and around barns, in riding arenas or golf courses, driveways, and many other areas.

Called "HIT-GRID," the product is made from recycled polyethylene, and comes in 10.33-sq. ft. sheets - consisting of four panels. Each sheet weighs only 15 lbs., according to Hank Andresen, owner.

"Horses don't like to leave the area where HIT-GRID is located because it is cushioned," he says. "In stalls, the grids don't trap the wetness like rubber mats, so the bedding stays drier. Also, the area can easily be cleaned out with a flat shovel or tractor blade.

"When installed with a fill layer of topsoil and planted with grass seed or sod, high traffic will not cause wear on the grass because the roots are protected," Andresen says.

"You can fill the grids with sand for walkway, driveway or patio use, and it can be used alternately with grass and gravel to form stepping stones."

To install the tough and flexible sheets for livestock areas, Andresen recommends that the ground first be leveled with a gradient of approximately one percent. To stabilize the subsoil, it may be necessary in some cases to lay down a fleece membrane before spreading a layer of 3/4-in. to 3/8-in. crushed gravel to serve as a load-bearing layer. This should be 6 to 12 in. deep, and also have a one percent gradient.

Once this area is smoothed and compacted, the HIT-GRID is laid down and compacted into the gravel layer.

The panels have a load-bearing capacity (based on a gravel foundation) of up to 35,000 lbs. per sq. ft.



Thin layer of topsoil is placed on top of interlocking grids.



When used on grassy areas, grids protect plant roots.

Andresen points out that the HIT-GRID system can stand up to expansion and contraction in various temperatures and ground conditions.

It costs roughly \$2.10 to \$2.20 (U.S.) per sq. ft., plus shipping, and is available from dealers in British Columbia, Washington, Oregon, California, New Hampshire, West Virginia, Maryland, Kentucky, and Texas. More distributors are welcome.

Contact: FARM SHOW Followup, HIT North American Office, A Division of Andresen International, 390 Monterey Ave., N. Vancouver, B.C., Canada V7N 3E8 (ph 604 980-8536; fax 604 980-8540; email: hit@shaw.ca; website: www.HIT-HorseConsult.de; www.wirthstockfarmsinc.com; or www.hitgrid.com).

## Worm Farm In A Can

Growing worms for composting or fish bait is easy with this do-it-yourself kit called Can-O-Worms. It's a multi-layered unit that's only 20 in. in diameter and 30 in. tall, but will hold from 12,000 to 15,000 worms.

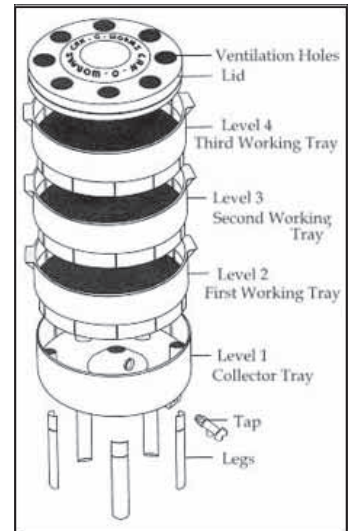
"Some people use it to compost table scraps, schools use it to teach recycling and biology, and fishermen use it to produce bait," says Dorothy Benoy, Happy D Ranch.

The roundworm bin consists of three working trays and a bottom collector tray with a tap to drain off liquids. Coconut husk bedding material provided with the unit is placed in the bottom of the first working tray along with dirt or compost and some organic matter. Organisms in this material will begin the composting process, which the worms complete. As the worms consume organic matter and the first tray fills up, a second working tray is added and the process is repeated as the worms migrate up and into the next tray. Once the third working tray is full of compost, the bottom working tray can be emptied of castings, prepared with bedding material and placed on top of the other two.

In addition to Can-O-Worms, Berry sells other worm production and vermin-composting supplies. The price for the bin itself is \$109 plus shipping or \$149 with 2 lbs. of worms and a complete beginners kit.

"Gardeners buy it as a way to recycle organic waste, and then they use the worm castings in their garden," notes Benoy.

Benoy's website offers a wealth of information on worm production, including tidbits such as: 1 lb. of worms can convert 3 lbs. of waste into castings each week; and red worms double in biomass every 3 to 4 months.



Between 12,000 and 15,000 worms can be raised in the 20-in. dia. container.

She warns that the biggest danger people run into is overfeeding. "At the beginning, the system's organisms may not be developed enough to convert the food," she says. "This can produce excess heat."

Contact: FARM SHOW Followup, Dorothy Benoy, Happy D Ranch, P.O. Box 3001, Visalia, Calif. 93278 (ph 559 738-9301 or 888 989-1558; email: info@happydranch.com; website: happydranch.com).

Tailgate ramp is made of expanded metal coated with slip resistant Rhino bed liner.



## Easy-To-Use "Fold-Out" Tailgate Ramp

This new loading ramp for pickups doubles as a tailgate and has a unique fold-out action that makes it easy to use.

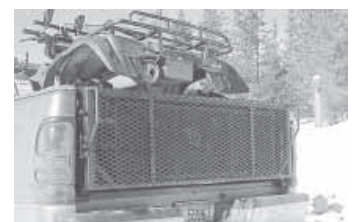
The deck is made from expanded metal and is coated with slip resistant Rhino bed liner. It consists of four expanded metal panels that are hinged together and fold within themselves using heavy duty torsion springs.

The ramp is held in transport position by a pair of latches, with another latch on the driver's side that's used to hold the ramp together. There's also a handle on each side of the tailgate. The operator releases a latch on the passenger side, then goes to the driver's side and releases the latch that holds the ramp together. Then he grabs the handle and releases the third latch, allowing him to pull the ramp and fold it down onto the ground.

The folded-up ramp can be opened as a standard tailgate, allowing normal access to the pickup bed whenever the ramp isn't being used.

The tailgate ramp has a loading capacity of 1,500 lbs. and weighs about 125 lbs. It can be custom built to fit different pickup brands and models.

Sells for about \$700 plus an average shipping charge of about \$75. Original tailgate



Ramp consists of 4 metal panels hinged together.



Spring-loaded ramp folds back quickly when needed.

can be reinstalled at any time.  
Contact: FARM SHOW Followup, Earl W. Sherrer, Sherrer Contracting, Inc., P.O. Box 270, 4500 Erickson Ridge, Elk City, Idaho 83525 (ph 208 842-2597; email: cabins@camasnet.com; website: www.tailgateramps.com).