

Leaves are easy to feed into the large 21-in. dia. funnel that tilts for easy loading. It reduces the total volume for disposal. If you normally compost leaves, they'll break down a lot faster.

Sells for \$159.99. **(Whatever Works, Earth Science Building, 74 - 20<sup>th</sup> St., Brooklyn, N.Y. 11232 ph 800 947-8374; Web site: www.whateverworks.com)**

I modified a 1959 Volkswagen pickup to look like a small semi truck. I shortened the pickup by 3 ft. by cutting it in half and removing 36 in. from the center part of



the bed. After welding the frame and bed back together and grinding and sanding the body work, I flared the fenders. I also added wide tires, West Coast mirrors, an air horn, cab lights, dual upright chrome



exhaust pipes, a rollbar, wooden side racks for the bed, and two front-running lights. There's even a fifth wheel trailer hitch on back. It's a fun little truck to drive around - everyone who sees it comments on how nice it looks.

Another project was rebuilding an old Case rear-mounted, hydraulic-driven tiller so I could pull it behind my Deere 332



garden tractor. The tractor was already equipped with a front-mounted, driveshaft-operated sweeper. The driveshaft and U-joints kept going bad so I decided to convert the sweeper to operate on hydraulics, too. The tractor didn't have enough hydraulic capacity to operate the tiller's hydraulic pump so I used 16-gauge sheet metal to build a hydraulic tank which I mounted on back of the tractor. Then I mounted an 8 gpm hydraulic pump on an extension that I added to the tractor's rear pto shaft. Then I built a pivoting frame and hitch for the tiller. A 3-in. dia., 8-in. long hydraulic cylinder mounts on the tank and is used to raise and lower the tiller. To control the flow of fluid, I mounted a reversible control lever on the side of the tank. Oil is piped through a filter out the side to two hydraulic quick couplers. Both the front broom and the tiller could be used in either direction because of the type of control lever I used. The final step was to paint the tiller green.

**(Don Campbell, Box 132, Gaylord, Mich. 49734 ph 517 732-3946; Email: koli@voyager.net; Website: expressodesigns.com/minimachine/)**

We're excited to be able to tell FARM SHOW readers about a new legume that's available to U.S. growers. Called "AC Greenfix", it's a variety of chickling vetch that's also known as grassy



peavine. Developed in Canada, it has the ability to fix high amounts of nitrogen after just 8 to 10 weeks. In a 4-year test, on-farm trials produced an average of 100 lbs. per acre of total nitrogen. One research test achieved a high of 210 lbs. per acre.

This variety is drought tolerant and can tolerate some frost so it can be sown early in the spring or later in the year and allowed to freeze off. It's an annual so it does not return the following season. It can also handle heat, making it ideal for a variety of climates and soil types. Since it draws moisture from only the top 2 ft. of soil and can be plowed down soon, moisture depletion is kept to a minimum.

We think AC Greenfix has great potential as a soil improving crop and as an alternative to commercial fertilizers. A seeding rate of 70 to 80 lbs. per acre is suggested for green manuring. Cost of seed is 50 cents per pound.

We've started selling seed and we're also looking for dealers. **(David & Ila Krause, Dakota Frontier Seed, Ltd., 6520 45<sup>th</sup> Ave., Flasher, N.D. 58535 ph 701 597-3918; fax 701 597-3919; E-mail: dakotafrienderseeds@westriv.com)**

Like a reader in your last issue, I also find tomato cages are expensive, fragile, and too small. I make my own cages out of concrete reinforcing mesh. I cut four panels about 18 in. wide and 40 in. high, leaving a solid wire on three sides and the bottoms with the wires bar sticking down. I fasten the four panels together with hog rings. To use them, I step on the cross wires and push the bottoms into the soil. In the fall, I cut the trash off and fold them flat, leaning them against a shed wall till needed again in the spring. Takes less storage and they're cheap to make. **(Elmer Pinkerton, Elmwood, Neb.)**

I recently patented a hydraulic log splitter with a log hoist that can drag log chunks to the splitter from any direction, as far as 50 ft. away. A pair of tongs at



the end of the cable lift the chunk onto the splitting table and hold the chunk in place while you split it.

One other unique aspect of this splitter is that the height of the splitting table



I got the idea for my combine sprayer from an article in the 1999 Edition of Best of FARM SHOW about a combine converted by Richard Cox of Franklin, Ill.

I bought a 1976 Model M Gleaner for \$2,000. It has a good diesel motor and power train. We totally gutted the grain cleaning components. We narrowed the header to 10 ft. I had a 1986 pull-type sprayer with a 60-ft. boom. We narrowed the main frame of the sprayer to 10 ft. The sprayer had a ground-driven pump so we put a sprocket on the driveshaft and also used a jack shaft, and mounted the pump where the fan used to be. One of the electric reel control switches was used for the solenoid to shut the booms on and off. The spray tank bottom-fills with a Honda water pump. I mounted a small chemical fill box on

the side where we dump in the chemicals. A venturi valve sucks chemicals into the tank. A 1/2-in. dia. stand pipe in the box is used to wash out chemical jugs.

The engine access ladder was moved from the left to the right side of the machine.

Ken Jones and I worked on the combine sprayer for 45 afternoons in February and March, 2000. After two seasons and about 2,000 acres sprayed, we're very happy with the results. I spray in road gear at 9 to 10 mph. Total cost was about \$7,000, not including labor.

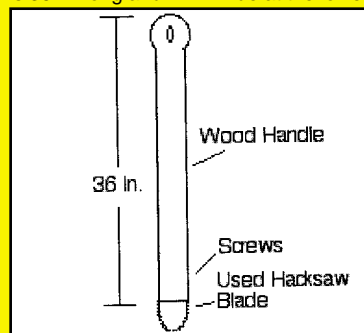
Old Gleaners never die! **(Bill Rynsburger, Site 23, Box 7, RR2, Stn Main, Grande Prairie, Alta. T8V 2Z9 Canada ph 780 532-6566)**



can be adjusted from ground level up to waist height using a cable that wraps about the axle. The cable attaches to a pin on the splitting wedge. When you get the table to the desired height, you just pin the support arms into place.

I'm looking for a manufacturer for this unique splitter. **(Bernard Milton, 11042 Pfaff Hollow, Wayland, N.Y. 14572 ph 716 728-2706)**

Here's a simple standup weed puller I made that works well. The wood handle is 36 in. long and 2 in. wide at the lower



end. A hacksaw blade is bent over the end of the handle, with a gap between the curve of the blade and the end of the handle. The blade is screwed to the sides of the handle and taped in place.

It works good because you can swing it back and forth to kill weeds. As it slices through weeds, the dirt just passes

through the blade. **(Robert Hunt, 6640 Clark Rd., Erie, Penn. 16510)**

I'd like to share with your readers a small-sized earth mover I built.

It's a twin engine 4-WD Caterpillar earthmover with a 16 hp. engine on front and a 13 hp. engine on back. Both en-



gines are Vanguard series Briggs and Strattons. It's fitted with Sundstrand transaxles taken from older Wheelhorse tractors. The tires are 6-ply.

There's a separate hydraulic pump with a priority valve to the steering. The machine is 12 ft., 2 in. long and weighs 2,200 lbs. **(Bernie Thom, P.O. Box 124, Marlette, Mich. 48453 ph 989 635-6986)**

I made a canopy for my 2900 Kubota tractor using an aluminum satellite dish. It works great to keep the sun off me. It



fastens to the top of the roll bar and I used a pair of PVC pipes on front for braces. I

*(Continued on next page)*